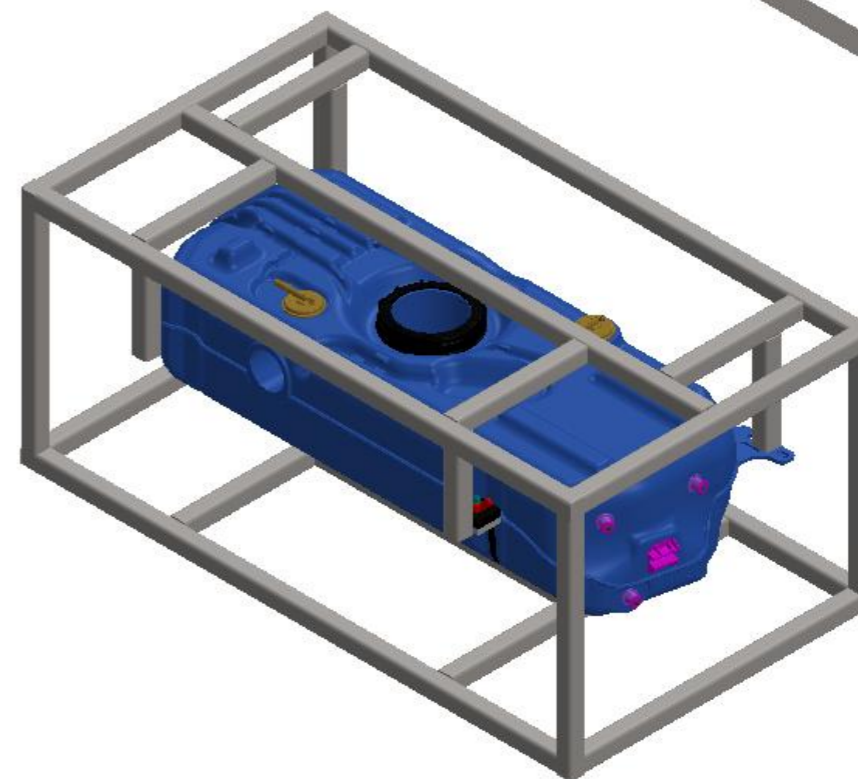
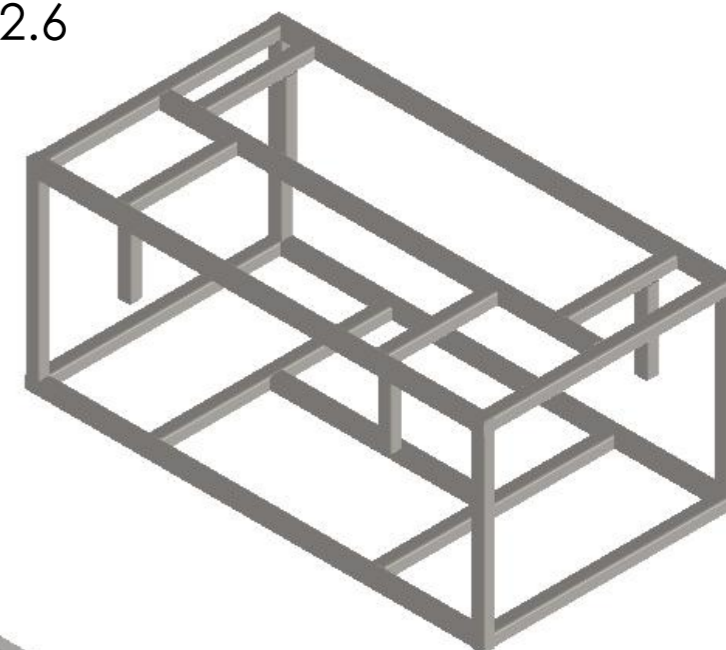


Hollow Section : 30 x 30x2.6



ID	QTY	DESCRIPTION	CODE #	MATERIAL	COMMENT
01	1	Fuel Tank Box -Tiba		Carbon Steel	---
<b>TITLE:</b> فیکسچر تست های آزمایشگاهی باک تیبیا					<b>POUYA GOSTAR CO.</b> <b>PART LASTIC GROUP</b> MASHHAD - IRAN P.O. BOX: 91755-1188 TEL: +98 (51) 35413200 - 3 FAX : +98 (51) 35413207
DESIGNED BY	M.Haghighi		DESIGNED DATA:	02/03/2016	
CHECKED BY	A.Seghatolslam		PRODUCT CODE :	---	
APPROVED BY	A.Falah 22/12/1397		PART NO :	---	
FILE PATH :				GENERAL TOL : DIN 7168(m)	ORIGINAL: A4